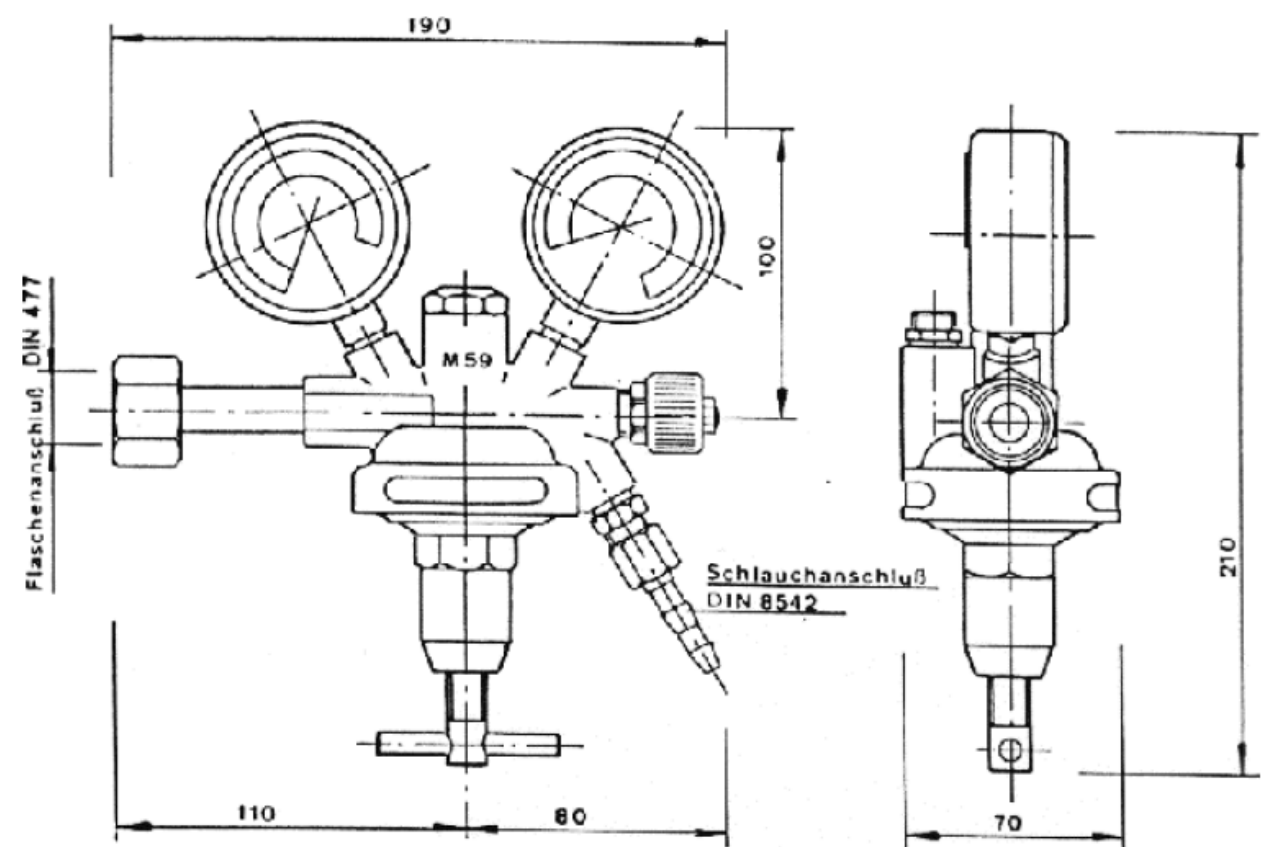
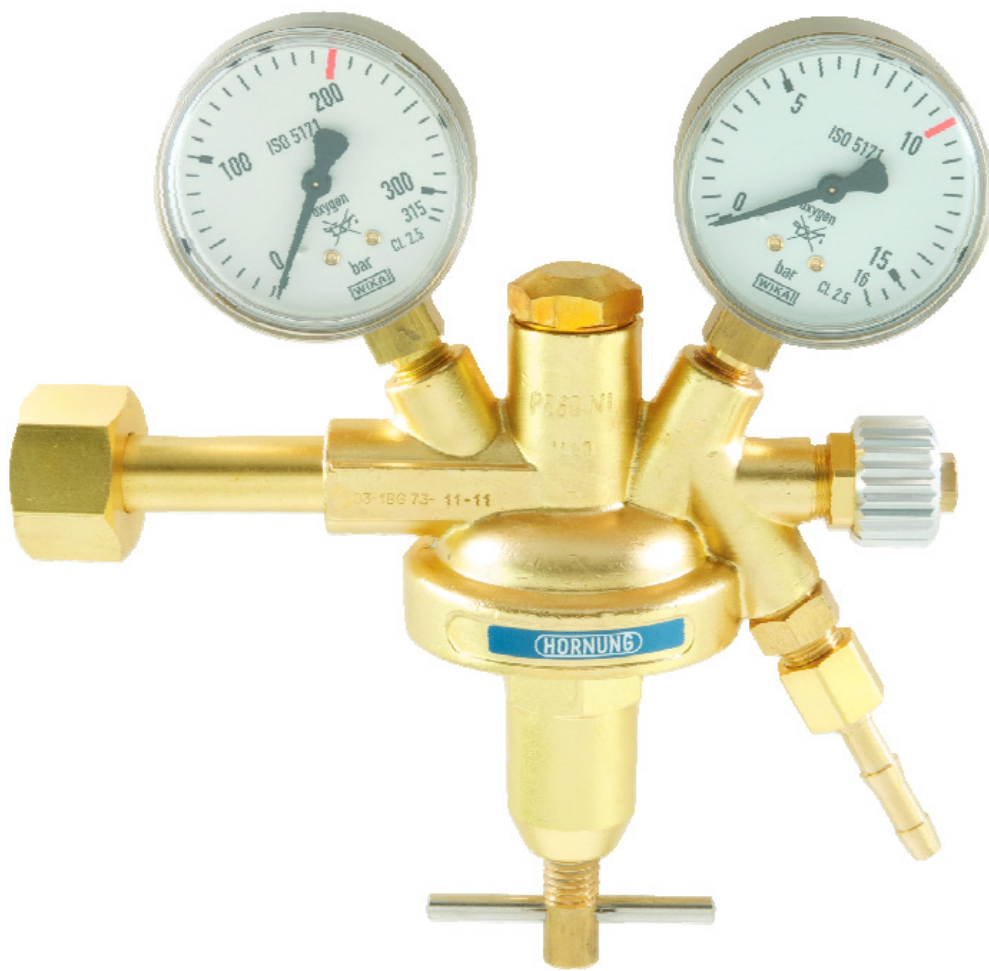
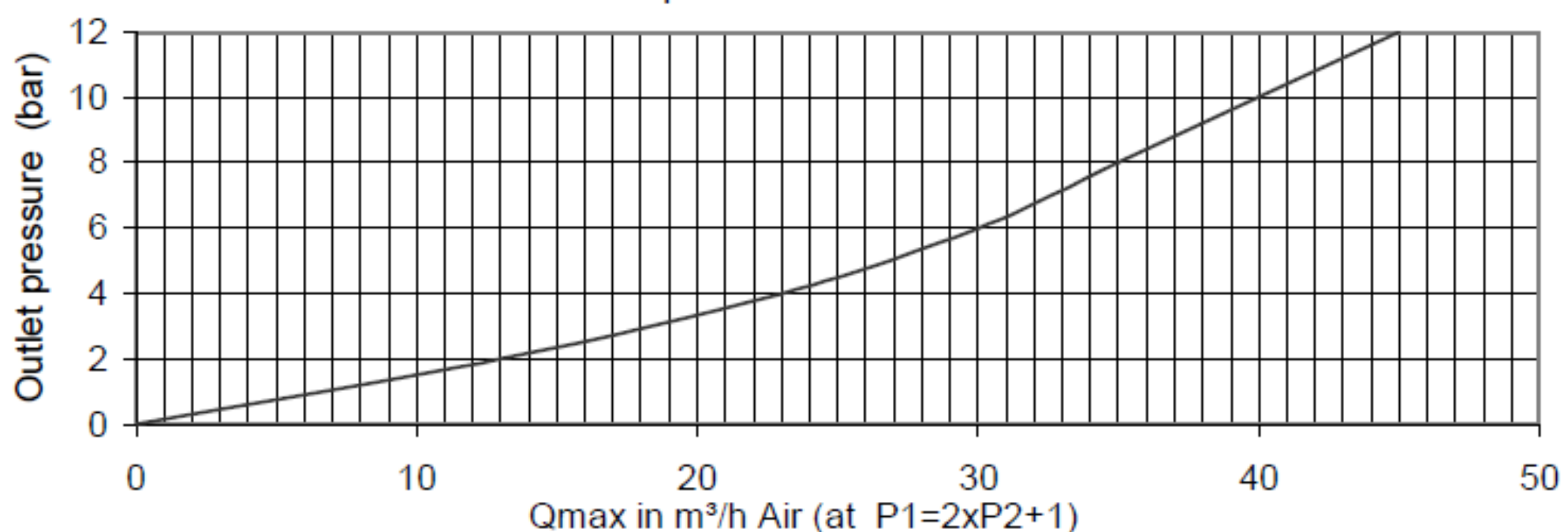


Cylinder pressure regulator M 59



MODEL	GAS	INLET PRESSURE P1	OUTLET PRESSURE P2	FLOW Q1	INLET CONNECTION	OUTLET CONNECTION
M 59	F, NF, NC	max. 300 bar	max. 16 bar	see diagram	cylinder DIN 477-1 / 477-5	Gas dependant DIN EN 560 G 1/4 RH G 3/8 LH

Flow performance M 59



The cylinder regulator M 59 reduces the pressure of compressed gases as well as liquid gases from max. 300 bar down to a max. pressure of 16 bar.

The M 59 is a brass single stage regulator with relief valve for Oxygen and Acetylene and with technical approval.

The regulator can be supplied nickel or chrome plated for other gases, metal diaphragm and hand connection.

QUALITY STANDARD

The company Hornung is certified to **DIN EN ISO 9001** and **ISO 14001:2009**. All single parts are manufactured, assembled and tested by in-house production. The finished parts are therefore under all criteria of German quality control with 100% final inspection.

HORNUNG

Präzision made in Germany

Rathenaustraße 55
63263 Neu-Isenburg

Phone: +49 6102 7883-70
Fax: +49 6102 7883-40

www.hornung.org
info@hornung.org