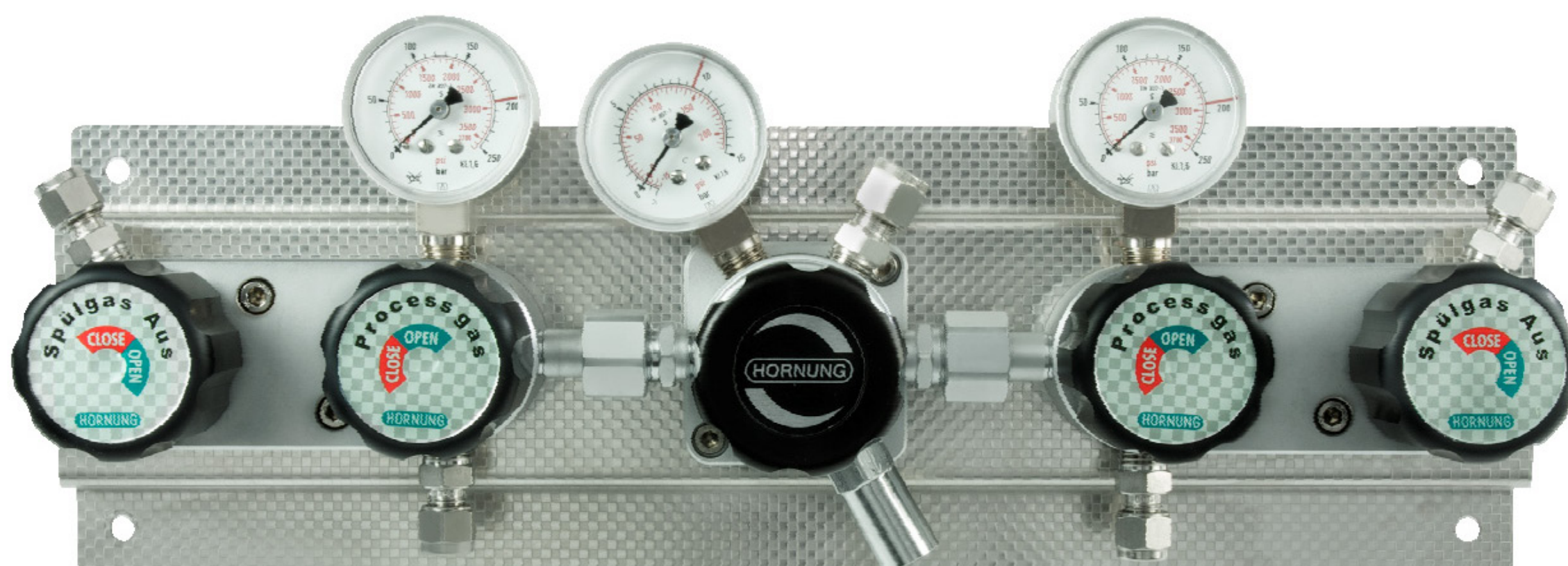


# Cylinder station HP 240 Frontline

- 2x1 cylinder (bundle) single stage with manual changeover



TECHNICAL DETAILS		APPLICATION AREA	DESCRIPTION
Body:	stainless steel 1.4404 electropolished or brass, nickel and matt chrome plated	Especially for gases with high requirements on purity to 6.0. secure and leak proof.	The HP 240 is a single stage panel for central gas supply with manual changeover and internal purging. It serves the safe supply of pure and mixed gases from 2 single or 2 bundled cylinders.
Seat:	PCTFE	With options like contact gauges and gas alarm boxes (see segment 7) the supply concept can be optimised further.	When changing cylinders, the gas supply must not be interrupted.
Diaphragm:	1.4435	Through our special cleaning system our pressure regulators are suitable for ECD – applications.	The station is mounted on a stainless steel console consisting of a pressure regulator with in and outlet pressure gauges as well as a relief valve and shut-off valve for the process gas and purge gas.
Leakage rate:	10 <sup>-8</sup> mbar l/s He against atmosphere		<b>Special characteristics:</b> Modular design of the pressure regulator and multifunction block. Assembly and disassembly of all fixtures from the front.
Gas purity:	≤ 6.0		Diaphragm shut-off valve in block design for process and purge gas with open and close display. Expandability for 2x2 cylinder/ bundle is already integrated.
Max. inlet pressure:	300 bar		
Outlet pressure ranges:	0,1-3; 0,1-6; 1-12; 1-17 bar		
Cv:	0,06		
Operating temp.:	-20°C to +70°C		
Gauges:	safety version to: EN 837-1 KL1,6		
Dimensions (wxhxd):	400 x 125 x 135 mm		
Weight:	6,4 kg		
Connections:	NPT 1/4" f		

## QUALITY STANDARD

The company Hornung is certified to **DIN EN ISO 9001** and **ISO 14001:2009**. All single parts are manufactured, assembled and tested by in-house production. The finished parts are therefore under all criteria of German quality control with 100% final inspection.

# HORNUNG

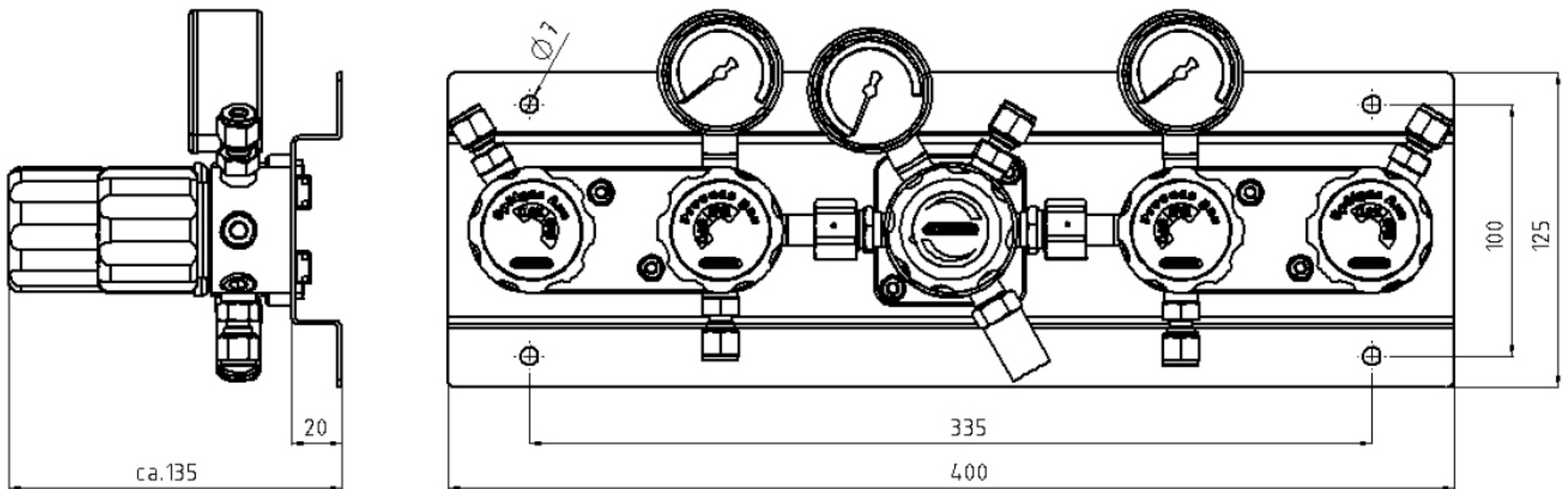
Präzision made in Germany

Rathenaustraße 55  
63263 Neu-Isenburg

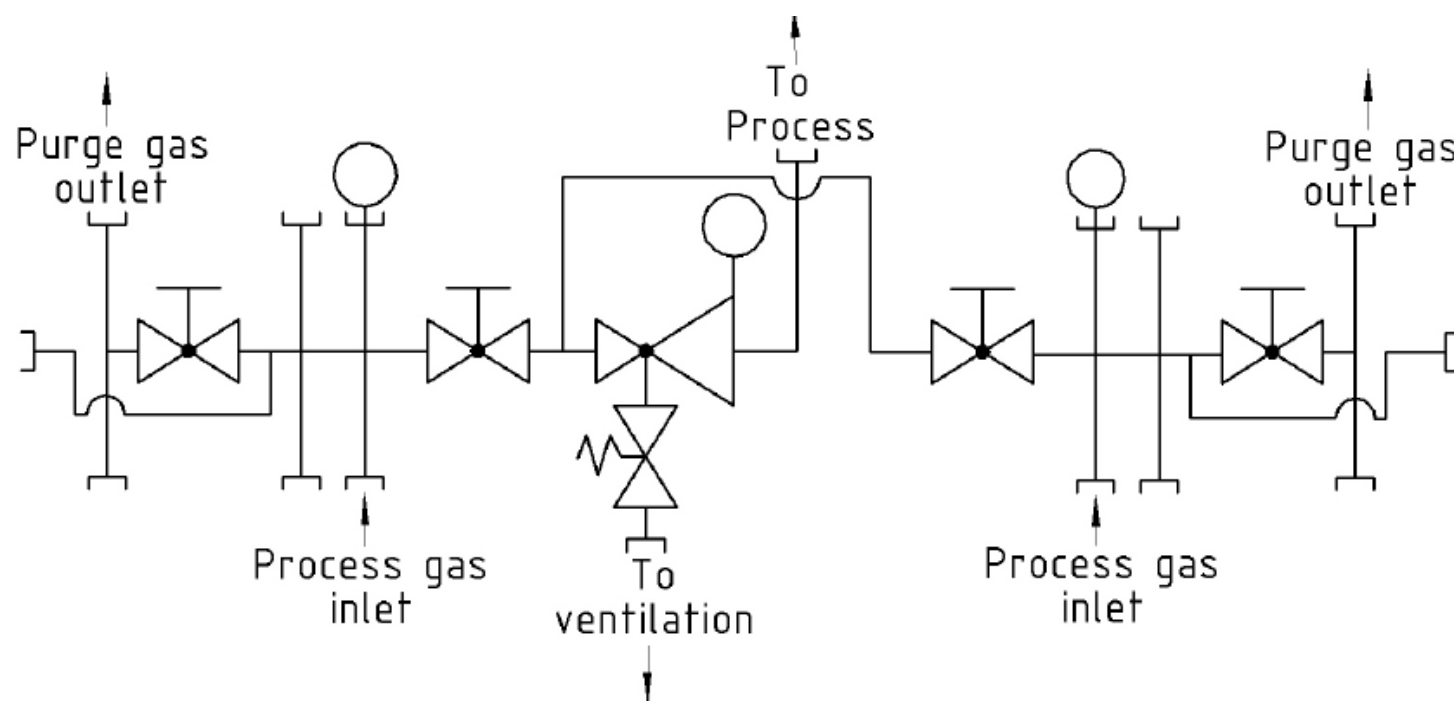
Phone: +49 6102 7883-70  
Fax: +49 6102 7883-40

www.hornung.org  
info@hornung.org

# HP 240 FRONTLINE



## FLOW DIAGRAM



## SCOPE OF SUPPLY

Cylinder station with inlet and outlet gauge, shut-off valve, shut-off valve for process and purge gas. Completely mounted on a wall bracket out of stainless steel.

Without compression fittings.

## ORDER DETAILS

**Material:**  
1 = stainless steel  
2 = brass

**Inlet pressure (p1):**  
1 = 200 bar  
2 = 300 bar

**Outlet pressure (p2):**  
2 = 0,1 - 3 bar  
3 = 1 - 6 bar  
4 = 1 - 12 bar  
5 = 1 - 17 bar

**Gauges:**  
1 = standard gauge  
2 = contact gauge ex

HP240- Type	2 Material	1 p1	4 p2	2 Gauge	Gas type Gas type
----------------	---------------	---------	---------	------------	----------------------

**Accessories:** See total catalogue segment

7. Pigtail 200 bar,  
pigtail 300 bar,  
connecting hose 200 bar,

connecting hose 300 bar,  
gauges, compression fittings,  
cylinder retainers and accessories,

gas cylinder cabinets and  
safety equipment.