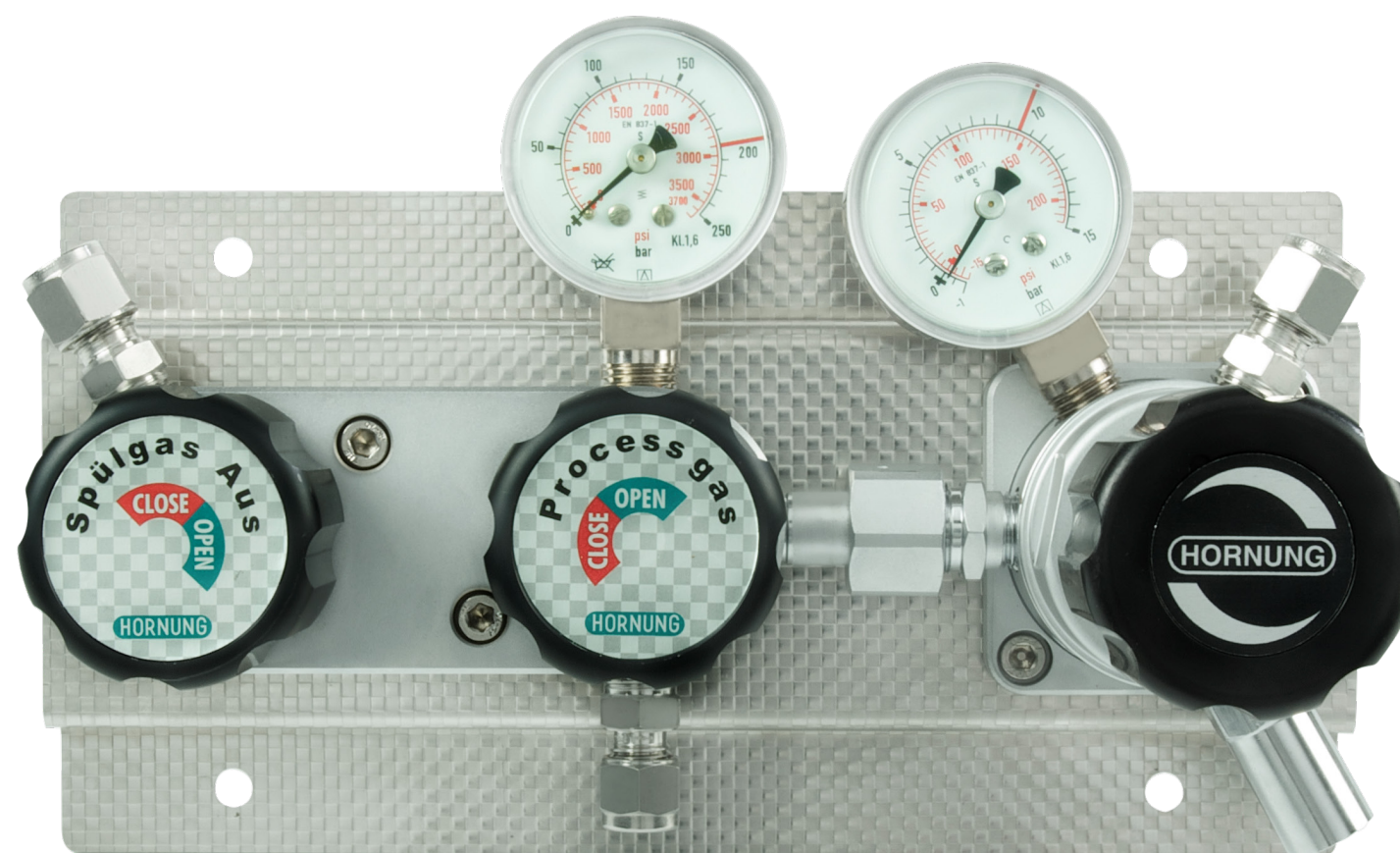


Cylinder station HP 230 Frontline

- 1x1 cylinder (bundle) single stage with internal purge system



TECHNICAL DETAILS		APPLICATION AREA	DESCRIPTION
Body:	stainless steel 1.4404 electropolished or brass, nickel and matt chrome plated	Especially for gases with high requirements on purity to 6.0. secure and leak proof.	The HP 230 is a single stage panel for central gas supply with internal purging. It serves the safe supply of pure and mixed gases from single or bundled cylinders.
Seat:	PCTFE	With options like contact gauges and gas alarm boxes (see segment 7) the supply concept can be optimised further.	The station is mounted on a stainless steel console consisting of a pressure regulator with in and outlet pressure gauges as well as a relief valve and shut-off valve for the process gas and purge gas.
Diaphragm:	1.4435	Through our special cleaning system our pressure regulators are suitable for ECD – applications.	Special characteristics: Modular design of the pressure regulator and multifunction block. Assembly and disassembly of all fixtures from the front.
Leakage rate:	10 ⁻⁸ mbar l/s He against atmosphere		Diaphragm shut-off valve in block design for Process and purge gas with open and close display. Expandability for 1x2 cylinder/ bundle is already integrated.
Gas purity:	≤ 6.0		
Max. inlet pressure:	300 bar		
Outlet pressure ranges:	0,1-3; 0,1-6; 1-12; 1-17 bar		
Cv:	0,06		
Operating temp.:	-20°C to +70°C		
Gauges:	safety version to EN 837-1 KL1,6		
Dimensions (wxhxd):	240 x 125 x 135 mm		
Weight:	4,1 kg		
Connections:	NPT 1/4" f		

QUALITY STANDARD

The company Hornung is certified to **DIN EN ISO 9001** and **ISO 14001:2009**. All single parts are manufactured, assembled and tested by in-house production. The finished parts are therefore under all criteria of German quality control with 100% final inspection.

HORNUNG

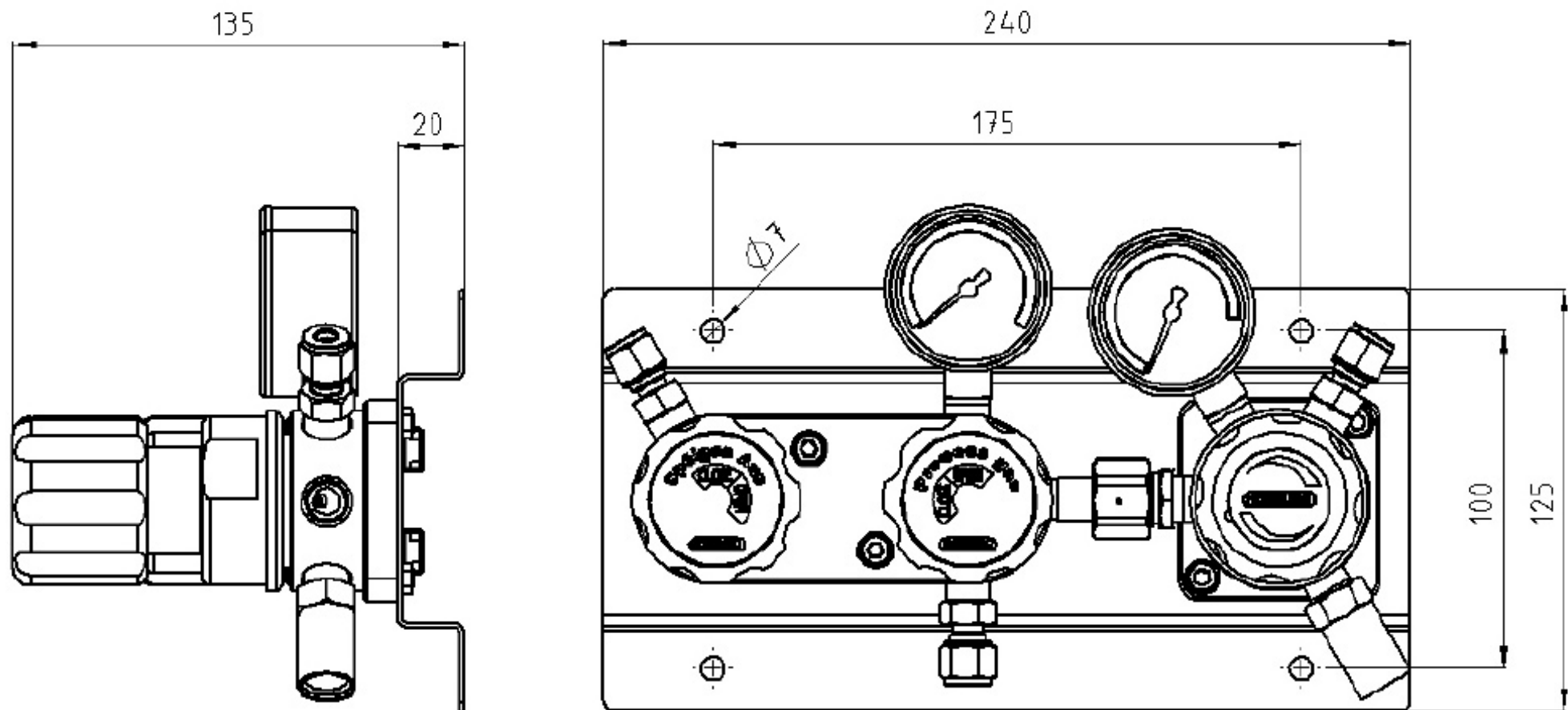
Präzision made in Germany

Rathenaustraße 55
63263 Neu-Isenburg

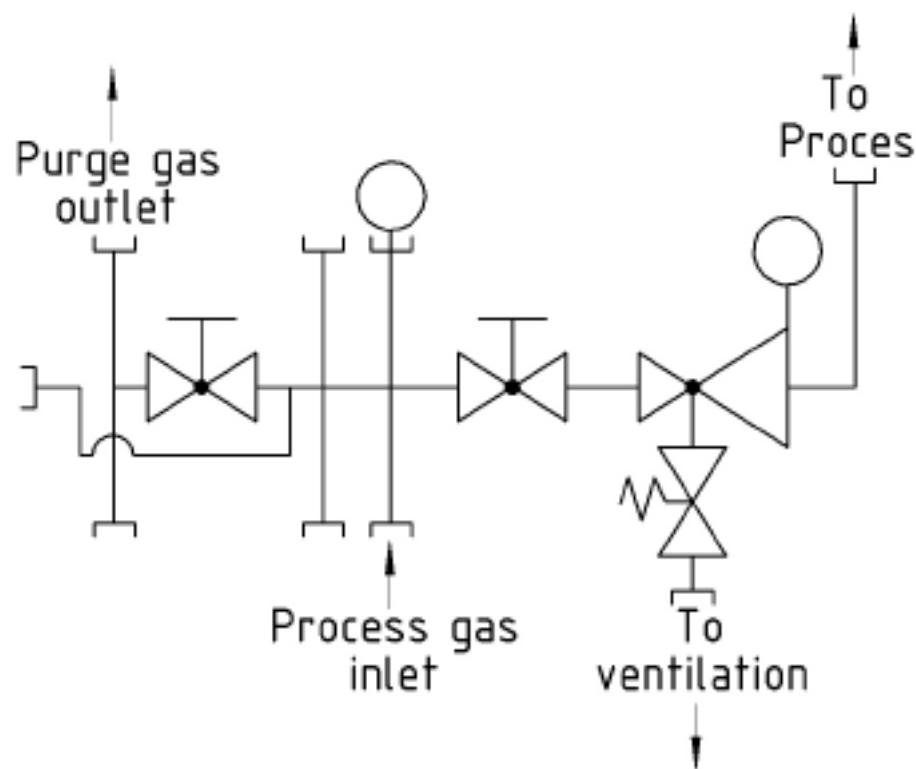
Phone: +49 6102 7883-70
Fax: +49 6102 7883-40

www.hornung.org
info@hornung.org

HP 230 FRONTLINE



FLOW DIAGRAM



SCOPE OF SUPPLY

Cylinder station with inlet and outlet gauge, shut-off valve, shut-off valve for process and purge gas. Completely mounted on a wall bracket out of stainless steel.

Without compression fittings.

ORDER DETAILS

Material:
1 = stainless steel
2 = brass

Inlet pressure (p1):
1 = 200 bar
2 = 300 bar

Outlet pressure (p2):
2 = 0,1 - 3 bar
3 = 1 - 6 bar
4 = 1 - 12 bar
5 = 1 - 17 bar

Gauges:
1 = standard gauge
2 = contact gauge ex

HP230- Type	2 Material	1 p1	4 p2	2 Gauge	Gas types Gas types
----------------	---------------	---------	---------	------------	------------------------

Accessories: See total catalogue segment

7. Pigtail 200 bar, pigtail 300 bar, connecting hose 200 bar, connecting hose 300 bar, gauges, compression fittings, cylinder retainers and accessories,

gas cylinder cabinets and safety equipment.