

Shut-off valve AV 6



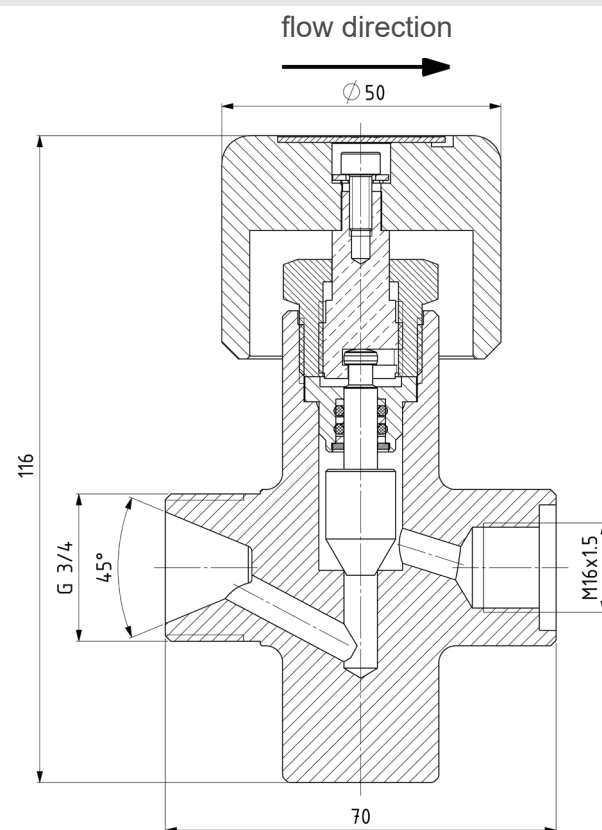
DESCRIPTION

- For the safe gas shut-off for ranges up to 300 bar
- Applicable for left and right side of the cylinder battery
- Oil and grease-free, ready for Oxygen use

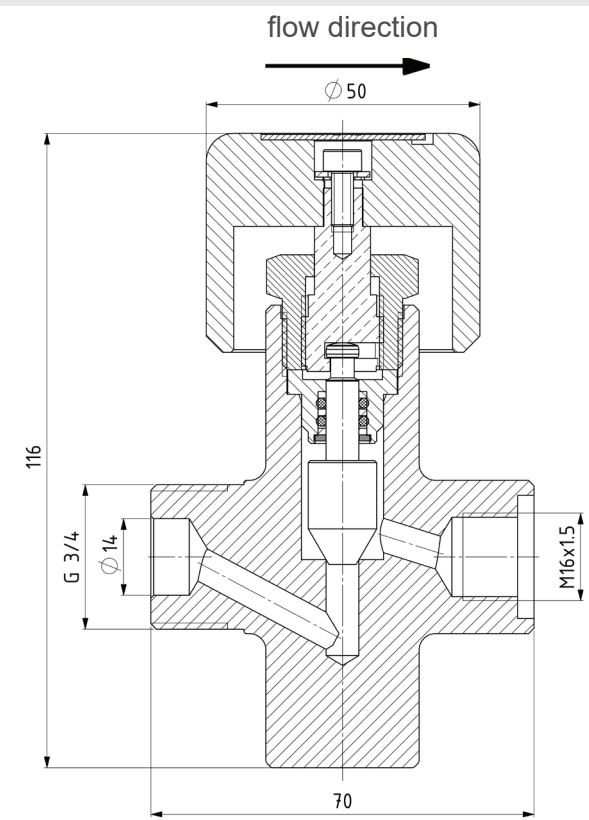
- Functional parts exchangeable
- Also available with different housing connections and integrated, changeable filter element.

SELECTION:

Selection according to illustrations



Version 1: G 3/4" ball in cone X M16x1.5



Version 2: G 3/4" DIN 477 X M16x1.5

TECHNICAL DETAILS

Material:	Brass	Operating temp.:	-20°C to +70°C
Elastomer:	Viton®	Dimensions (wxhxd):	70 x 116 x 53 mm
Max. inlet pressure:	300 bar	Weight:	743 g
Nominal diameter:	Ø 6 mm	Connections:	Inlet G 3/4" ball in cone or G 3/4" DIN 477 outlet M16x1.5

ORDER DETAILS

Connections:

1 = Inlet: G 3/4" ball in cone
Outlet: M16x1.5

2 = Inlet: G 3/4" DIN 477
Outlet: M16x1.5

Order sample:

Shut-off valve type
62- AV 6

Type 2
62- Connections Gas type
Gas type

QUALITY STANDARD

The company Hornung is certified to **DIN EN ISO 9001:2008** and **ISO 14001:2009**. All single parts are manufactured, assembled and tested by in-house production. The finished parts are therefore under all criteria of German quality control with 100% final inspection.

HORNUNG

Präzision made in Germany

Rathenaustraße 55
63263 Neu-Isenburg

Phone: +49 6102 7883-70
Fax: +49 6102 7883-40

www.hornung.org
info@hornung.org